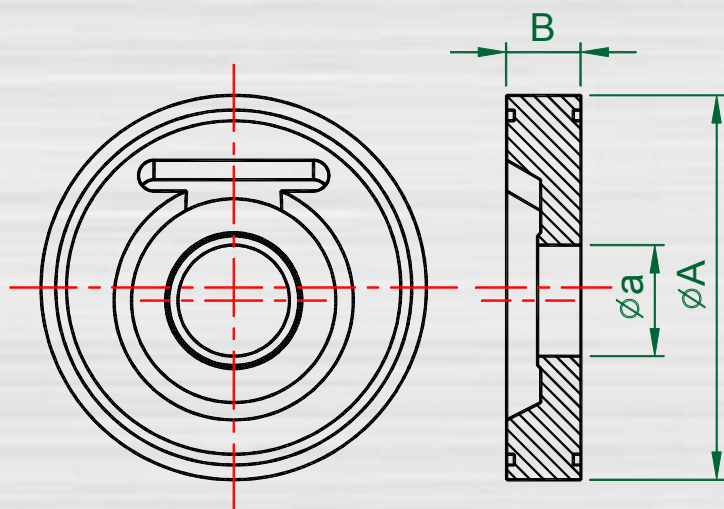


DIMENSION OF ACCESSORIES

Check Valve



TYPE	ϕA	ϕa	B
RSS-40 ; RSS-50	101	26	20
RSS-65	124.5	36	24
RSS-80	133	45	24
RSS-100	157	65	22
RSS-125 ; RSS-125A	187	88	24
RSS-150	220	110	26
RSS-200 ; RSS-200A	269	138	27
RSS-250	330	186	28
RSS-300 ; RSS-300A	380	212	32
RSS-350	428	260	35
RSS-400	482	290	40