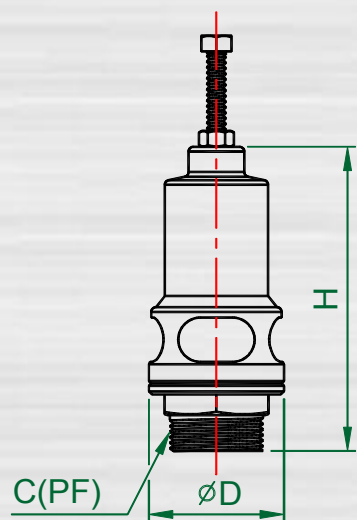


# DIMENSION OF ACCESSORIES

## Relief Valve



TYPE	H	$\phi$ D	C	Fitting Model
PP 1/2"	182	72	1/2"	RSS-32
PP 1 1/4"	182	72	1 1/4"	RSS-40,50,65,80
PP 2"	192	85	2"	RSS-100,125A,125,150
PP 3"	231	115	3"	RSS-200A,200,250,300A,300
SD 150	292	225	DN150	RSS-350,400